

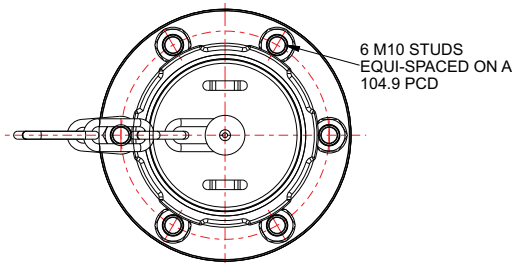
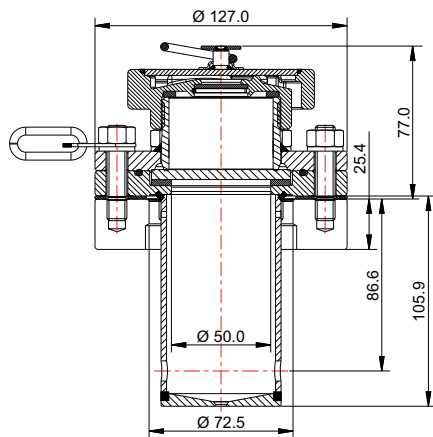


Low Profile Breather Assembly - for Hydrogen Peroxide tank specification. 2" BSP connection. Fitted with stainless steel sintered disc and a low leak design cap to avoid pressurisation of the tank during transit and to filter the compressed air when using the top discharge. The cap is fitted with a secondary sintered disc to limit any leak in a rollover situation.

Options - weld-in version. Flanged version. Various flange drillings available.

**Fitting Details**

Example shown : 674/3542



**Specification**

Weight	5.1 Kg
Design Pressure	4 Bar (58 PSI)
Design Temperature	150°C (302°F)

The cap is designed to suit SNCF regulations.

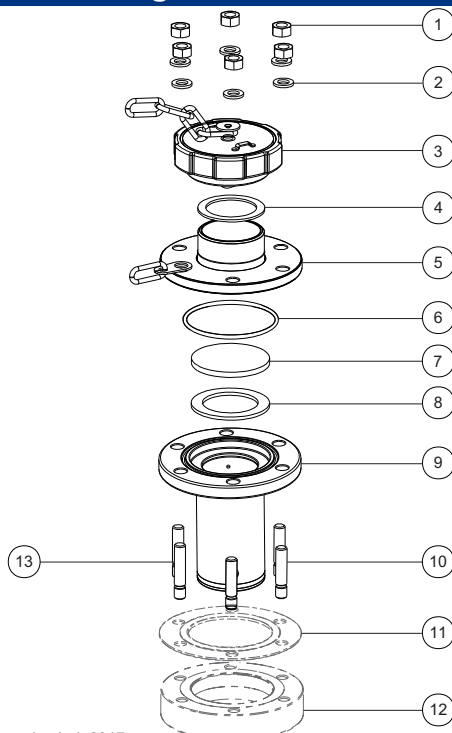
**Range**

Part No.	Description
674/3500	Weld-in breather assembly
674/3542	Low profile breather assembly
674/3550	Flanged breather assembly (DIN 80 PN 10)

**Associated Parts**

Part No.	Associated Parts
176/3150	Tank weld-in pad
5005-398P	Solid PTFE gasket

**Parts drawing**



Item	Description	Part No.
1	M10 full nut (6)	5112-002
2	M10 spring washer (6)	5113-002
3	Breather cap assembly	674/3040
4	Breather cap seal (PTFE)	5005-414
5	2" BSP outlet	674/3546
6	PTFE O ring	5005-235
7	Sintered disc	865/2000
8	Breather disc seal (PTFE)	5005-435
9	Breather body	674/3540
10	M10 x 48mm stud (5)	371/0004
11	PTFE gasket - <i>supplied separately</i>	5005-398P
12	2½" BSP tank pad - <i>supplied separately</i>	176/3150
13	M10 x 50mm stud (1)	371/0006