



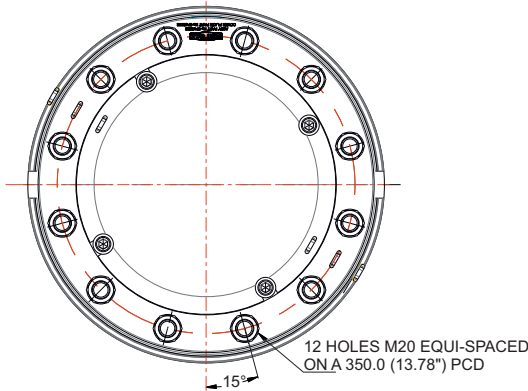
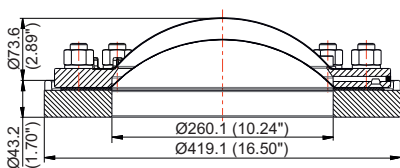
250mm Low Profile Burst Disc Assembly - for Hydrogen Peroxide tank specification. Complete with weather cowl and TIR facility. Drilled 12 holes M20 equi-spaced on a 350mm (13.78") PCD. Contact parts manufactured in 316 stainless steel with PTFE gasket. Supplied less burst disc.

Complete with removable top for testing purposes.

Options - tank pad available with baffle.

**Fitting Details**

Example shown : 674/8580



**Specification**

Weight	38 Kg
Design Pressure	4 Bar (58 PSI)
Design Temperature	130°C (266°F)
Minimum Flow	93045 M <sup>3</sup> /Hr (54764 SCFM) at 4 Barg

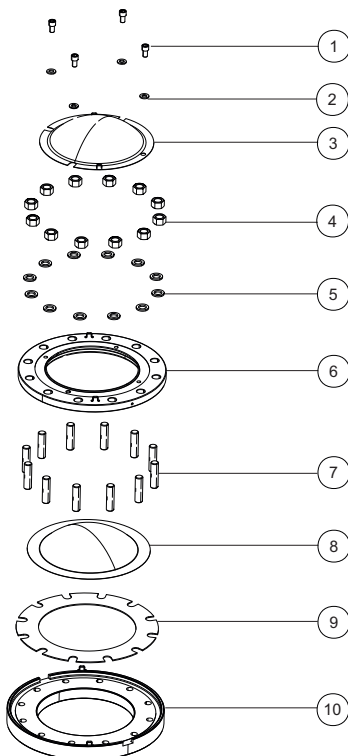
**Range**

Part No.	Description
674/8580	250mm low profile assembly
674/8680	250mm low profile assembly with baffle

**Associated Parts**

Part No.	Associated Parts
865/1200	250mm bursting disc – 4.5 Bar at 20°C
865/1250	250mm bursting disc – 4.5 Bar at 60°C
865/1400	250mm bursting disc – 6 Bar at 20°C
674/8550	250mm burst disc tank pad
674/8560	250mm burst disc tank pad with baffle

**Parts drawing**



Item	Description	Part No.
1	M12 x 20mm cap screw (4)	5111-066
2	M12 plain washer (4)	5113-006
3	Raincowl	674/2005
4	M20 full nut (12)	5112-011
5	M20 spring washer (12)	5113-016
6	Burst disc cover plate	674/2002
7	M20 stud (12)	674/8005
8	250mm burst disc – supplied separately <b>*See Note</b>	865/1XXX
9	PTFE burst disc gasket	5005-283
10	250mm burst disc tank pad <b>*See Note</b>	674/8550

\* Note - part number varies according to specification.