



Specification

Nominal size

DN500

Cover

4 point with a flash vacuum vent set at 1"Hg (0.03 Bar)

Neckring

Thickness: 6mm

Height: 150mm

Materials

Manlid cover: 316 stainless steel

Neckring: 304 stainless steel

Fasteners: stainless steel

Seal: supplied separately

Alternatives are available, refer to the Design Options page

Design Conditions

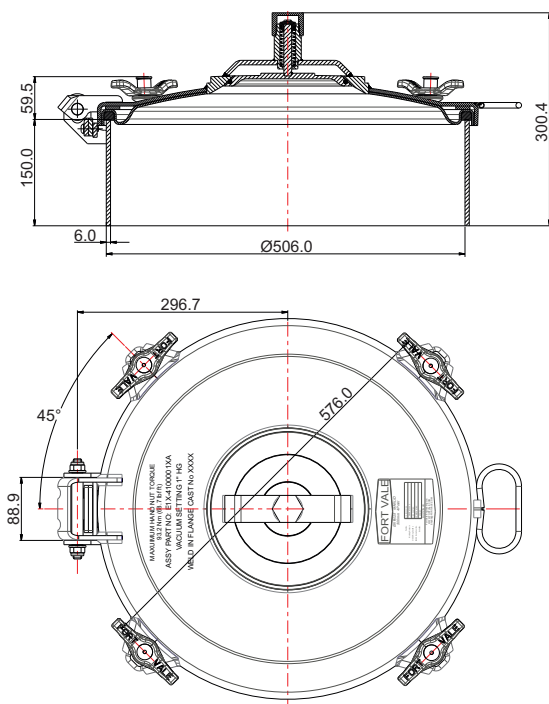
Weight:	36.0 Kg
Design Pressure (MAWP):	1 Bar
Test Pressure:	1.5 Bar
Design Temperature Min:	-20°C
Design Temperature Max:	200°C

NOTE: The Design Temperature limits refer to metal parts only. The Design Conditions and Section View dimensions are for the specified part number only.

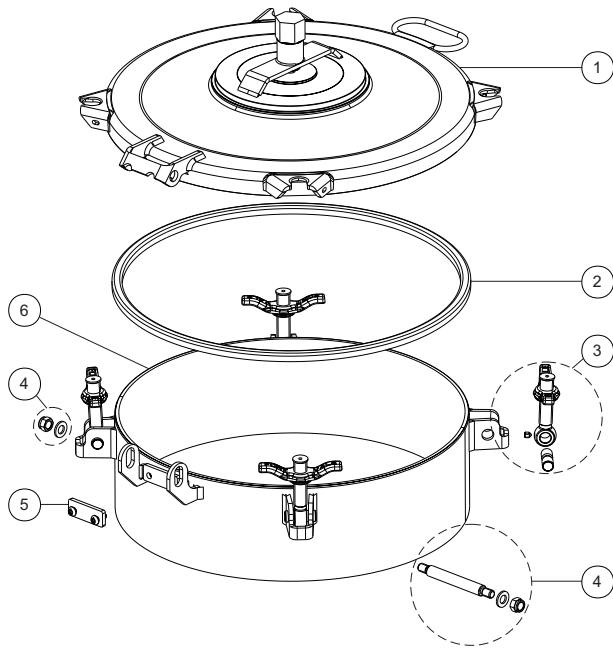
Design Codes

BS EN 14025

Section View



Parts Drawing



Parts List

Item	Description	Part No.
1	Cover with 1"Hg vac vent	71E/0520PV02
2	Seal (not included) * Note	5005-50XXX
3	Swingbolt assembly (4)	496/5379
4	Hinge pin assembly	600/1060
5	Hinge kit	135A
6	Neckring	66E/46150A304

NOTE: The specification changes the Part No.