



Specification

Nominal size
80mm

Tank connection
3" RJT

Outlet/process connection
3" RJT

Properties
In-line valve with concentric disc

Materials
Contact parts: 316 stainless steel
Main seal: Silicone

Alternative connections and seal materials are available, please contact Fort Vale

Design Conditions

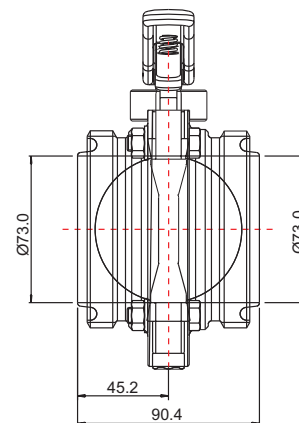
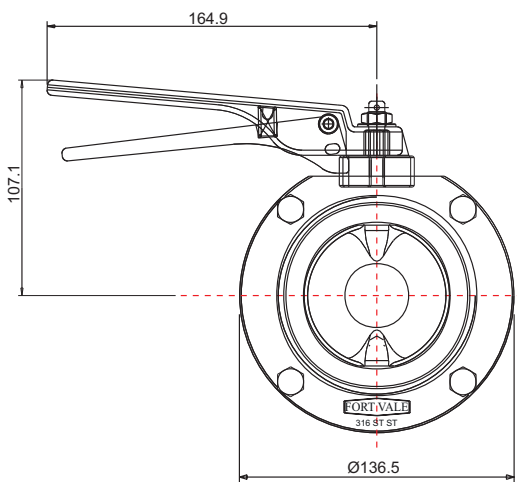
Weight:	4.0 Kg
Design Pressure (MAWP):	4 Bar
Test Pressure:	6 Bar
Design Temperature Min:	-55°C
Design Temperature Max:	200°C

NOTE: The Design Conditions and Section View dimensions are for the specified part number only.

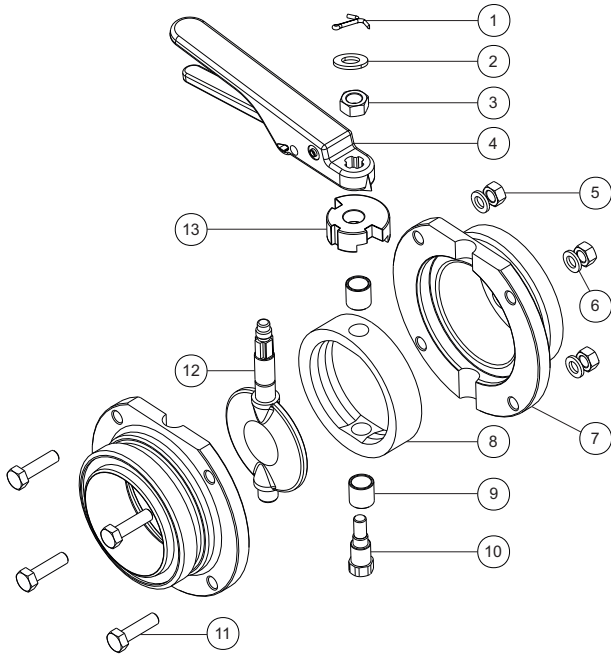
Related Parts

Description	Part No.
3" RJT blank cap	358/RJT3
Silicone seal for 3" RJT cap	5005-636

Section View



Parts Drawing



Parts List

Item	Description	Part No.
1	3/32" split pin	5118-016
2	M10 plain washer	5113-009
3	M10 half nut	5112-032
4	Handle assembly	358/2010
5	M8 nut (4)	5112-001
6	M8 spring washer (4)	5113-003
7	Body half (2)	358/1610
8	Silicone main seal	5005-58S
9	PTFE spindle bearing (2)	368/3023
10	Lower bearing support	358/3024
11	M8 hex screw (4)	5111-038
12	Closure plate	358/3020
13	Top flange	358/1605