



Specification

Nominal size

100mm

Tank connection

Flanged: 8 x 14mm holes on a 197mm PCD

Outlet/process connection

Flanged: 8 x 18mm holes on a 180mm PCD

Options

Left hand operated, right hand operated

Materials

Contact parts: 316 stainless steel

Main seal: PTFE

Alternatives are available, refer to the Design Options page

Design Conditions

Weight:	21.8 Kg
Design Pressure (MAWP):	7.5 Bar
Test Pressure:	13.7 Bar
Design Temperature Min:	-55°C
Design Temperature Max:	200°C

NOTE: The Design Conditions and Section View dimensions are for the specified part number only.

Design Code

BS EN 14432

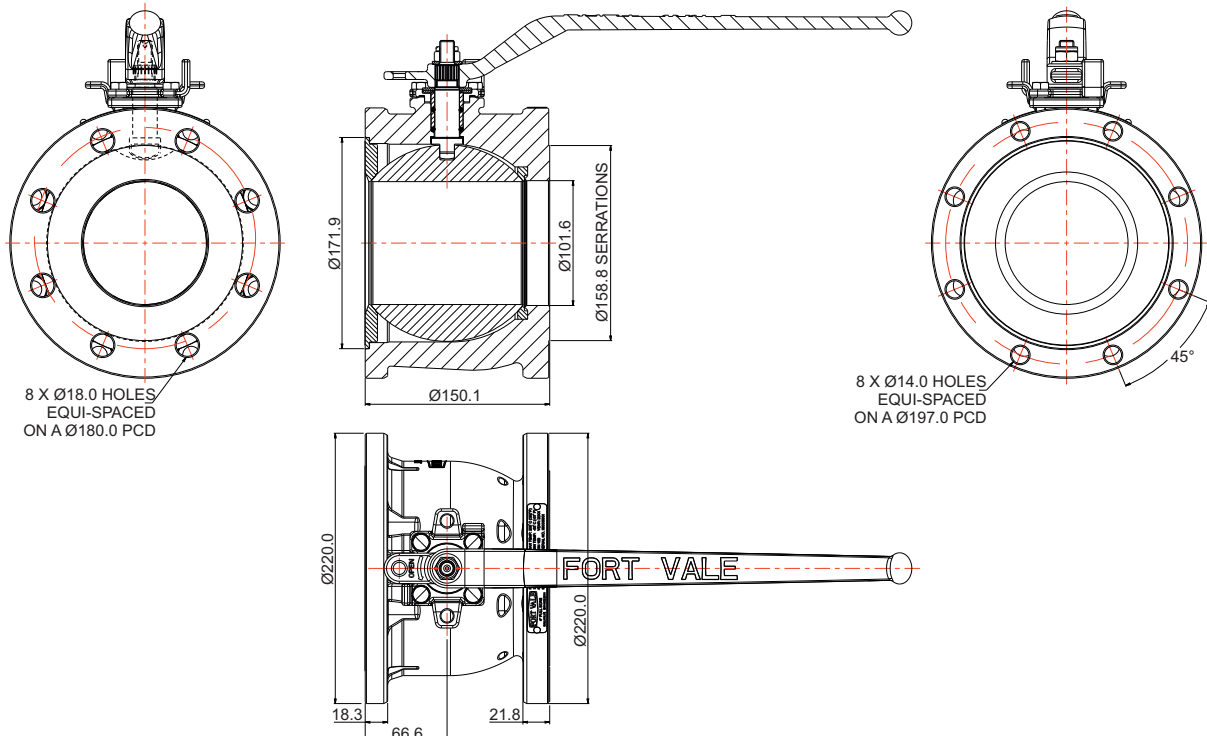
Range

Description	Part No.
Left hand operated	460/5050L
Right hand operated	460/5050R

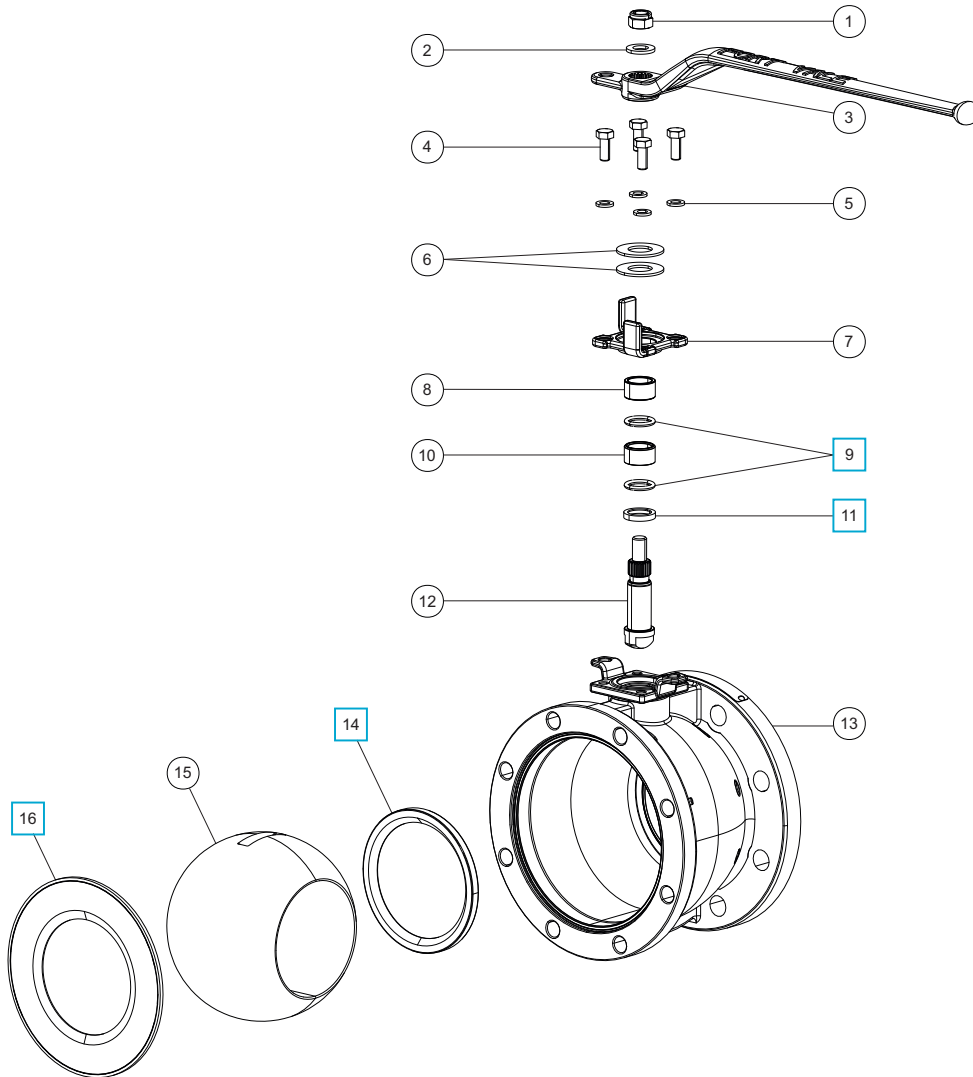
Related Parts

Description	Part No.
4" BSP eccentric outlet flange	SP468/8047
4" BSP blank cap	10304PSC
Blind flange	360/8108
CNAF/PTFE gasket	5005-468
Solid PTFE gasket	5005-468P

Section View



Parts Drawing



Parts List

Item	Description	Part No.
1	M12 self lock nut	5112-007
2	M12 washer	5123-003
3	Handle	360/3416
4	M8 hex bolt (4)	5111-046
5	M8 spring washer (4)	5113-003
6	Belleville washer (2)	5113-041
7	Clamp plate	360/5005
8	Top stuffing collar	360/3412
9	PTFE O ring (2)	5005-113 <input type="checkbox"/>
10	Bottom stuffing collar	360/3413
11	PTFE bottom bearing	360/3421 <input type="checkbox"/>
12	Spindle	360/3422
13	Body	460/5020
14	PTFE rear seal	460/5056 <input type="checkbox"/>
15	Ball	460/5057
16	PTFE front seal	460/5055 <input type="checkbox"/>

Seal Kit

Description	Part No.
All parts marked <input type="checkbox"/> in the Parts List	460/50SK