



Specification

Nominal size

80mm

Tank connection

Flanged: 6 x 14mm holes on a 168.3mm PCD

Outlet/Process connection

3" BSP

Properties

Left hand operated, handle with TIR

Materials

Contact parts: 316 stainless steel

Main seal: PTFE

Alternatives are available, refer to the Design Options page

Design Conditions

Weight:	16 Kg
Design Pressure (MAWP):	7 Bar
Test Pressure:	12.8 Bar
Design Temperature Min:	-40°C
Design Temperature Max:	200°C

NOTE: The Design Conditions and Section View dimensions are for the specified part number only.

Design Code

BS EN 4432

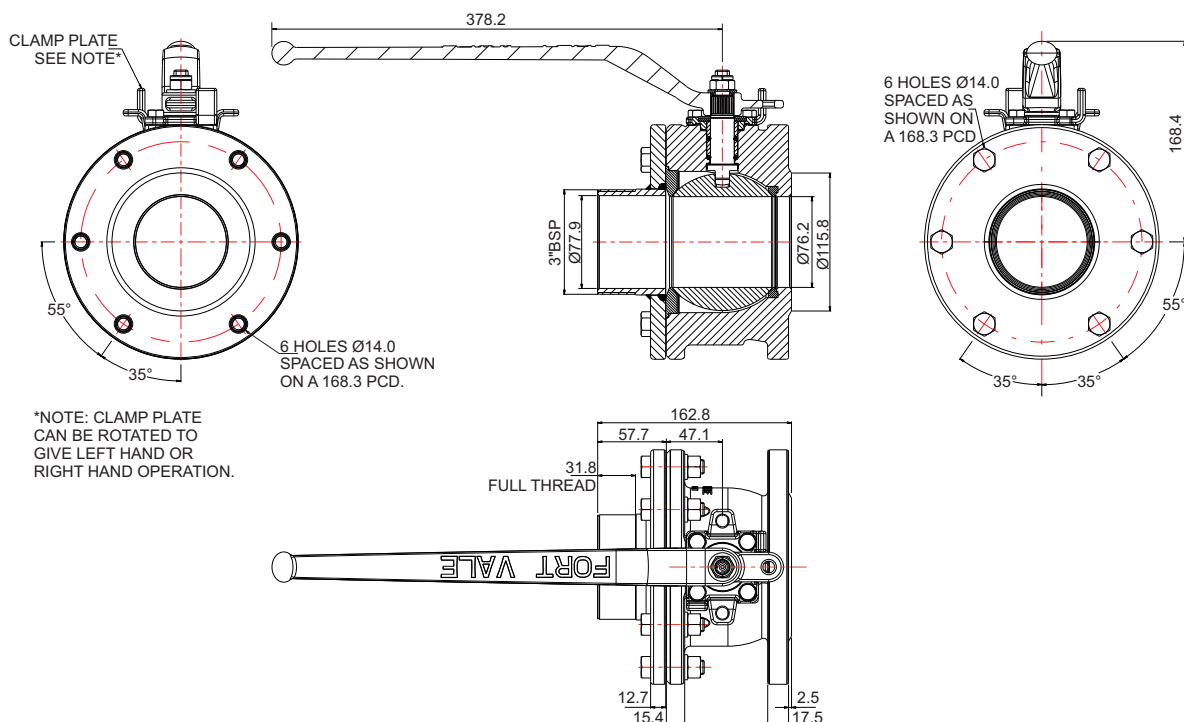
Range

Description	Part No.
Left hand operated	360/5000L
Right hand operated	360/5000R

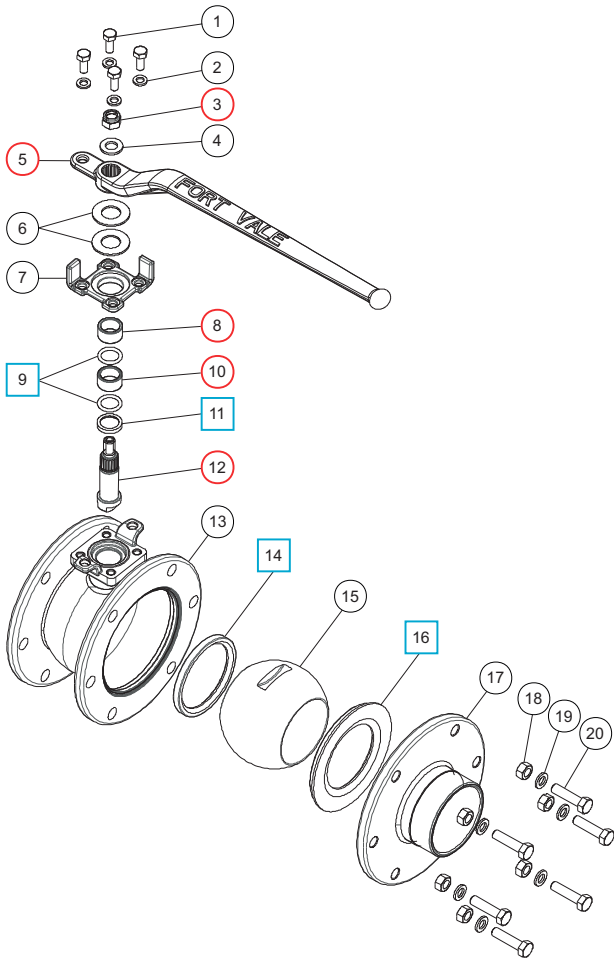
Related Parts

Description	Part No.
Mating flange	20378
Inlet bolting kit	360/0300
3" BSP cap with PTFE washer	10303PS

Section View



Parts Drawing



Parts List

Item	Description	Part No.
1	M8 hex head bolt (4)	5111-822
2	M8 flat spring washer (4)	5113-003
3	M12 self-locking nut	5112-007
4	M12 washer	5123-003
5	Handle	360/3416
6	20mm Belleville washer (2)	5113-041
7	Clamp plate	360/5005
8	Top stuffing collar	360/3412
9	PTFE O ring (2)	5005-113
10	Bottom stuffing collar	360/3413
11	Bottom bearing	360/3421
12	Spindle	360/3422
13	Body	360/5014
14	PTFE rear seal	360/3402
15	Solid ball	360/3401
16	PTFE front seal	360/3405
17	3" BSP male outlet flange	20409/14
18	M12 full nut (6)	5112-006
19	M12 flat spring washer (6)	5113-010
20	M12 hex bolt (6)	5111-023

Seal Kit

Description	Part No.
All parts marked in the Parts List	360/50SK

Repair Kit

Description	Part No.
All parts marked in the Parts List	360/50RK