



Specification

Nominal size

32mm

Tank connection

Flanged: 4 x 10.8mm holes on a 103.5mm PCD

Outlet/Process connection

Flanged: 4 x Ø18mm open slots on a 98.4 min. I/D

Properties

¼” BSP gauge connection, handle with TIR

Materials

Contact parts: 316 stainless steel

Main seal: PTFE

Alternatives are available, refer to the Design Options page

Design Conditions

| | |
|-------------------------|--------|
| Weight: | 4.4 Kg |
| Design Pressure (MAWP): | 7 Bar |
| Test Pressure: | 15 Bar |
| Design Temperature Min: | -40°C |
| Design Temperature Max: | 205°C |

NOTE: The Design Conditions and Section View dimensions are for the specified part number only.

Design Code
BS EN14432

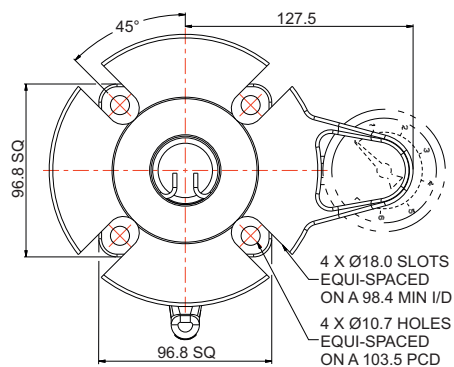
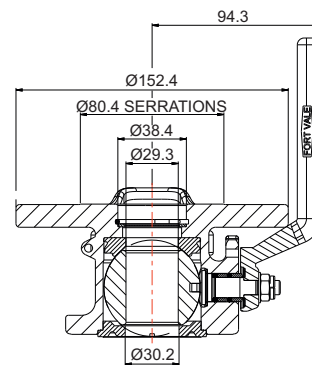
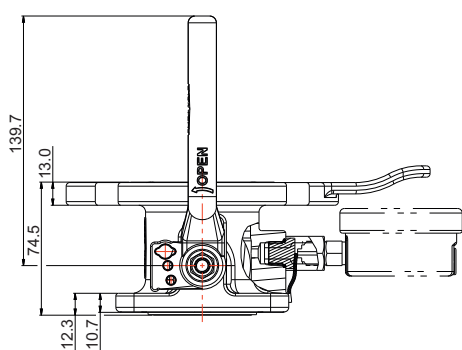
Range

| Description | Part No. |
|------------------------|-----------|
| Standard specification | 530/1000 |
| With gauze | 530/1000F |

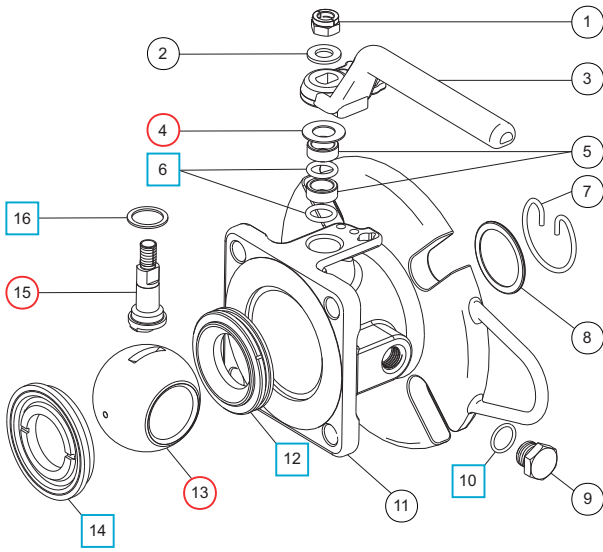
Related Parts

| Description | Part No. |
|-------------------|------------|
| Pressure gauge | 920/07BBSP |
| Gauge adaptor | 352/4004 |
| Blind flange | 530/8053CM |
| Bolting kit | 311/3500 |
| Solid PTFE gasket | 5005-348 |
| Stud kit | 350/1300 |
| Weld-in flange | 350/0025 |

Section View



Parts Drawing



Parts List

| Item | Description | Part No. | |
|------|-----------------------|----------|-----|
| 1 | Self-locking nut | 5112-031 | |
| 2 | M8 washer | 5113-005 | |
| 3 | Handle | 530/0020 | |
| 4 | 8mm Belleville washer | 5113-036 | ○ |
| 5 | Stuffing collar (2) | 530/0003 | |
| 6 | PTFE O ring (2) | 5005-008 | □ ○ |
| 7 | Snap ring *Note | 5120-017 | |
| 8 | Gauze filter *Note | 353/0010 | |
| 9 | ¼” BSP plug | 5128-005 | |
| 10 | PTFE O ring | 5005-048 | □ ○ |
| 11 | Body | 530/1100 | |
| 12 | PTFE front seal | 5005-006 | □ ○ |
| 13 | Ball | 350/0002 | ○ |
| 14 | PTFE rear seal | 5005-007 | □ ○ |
| 15 | Spindle | 530/0001 | ○ |
| 16 | PTFE thrust seal | 5003-002 | □ ○ |

NOTE: Optional part, see Range 530/1000F

Seal Kit

| Description | Part No. |
|--------------------------------------|----------|
| All parts marked □ in the Parts List | 530/00SK |

Repair Kit

| Description | Part No. |
|--------------------------------------|----------|
| All parts marked ○ in the Parts List | 530/00RK |