



Specification

Nominal size

DN100

Inlet connection

4" TTMA

Outlet connection

Compatible with API RP 1004

Properties

4 wrap-around triggers that connect with over 60% of the loading adaptor circumference

Materials

Contact parts: hard anodised aluminium & stainless steel
Main seal: A range is available, refer to Seal Data p3.

Design Conditions

Weight:	10.2 Kg
Design Pressure (MAWP):	6 Bar
Test Pressure:	10 Bar
Maximum Surge Pressure:	15 Bar
Design Temperature Min/Max:	Refer to Seal Data, p3

NOTE: The Design Conditions and Section View dimensions are for the specified part number only.

Design Codes

The Safeload coupler obeys:
ATEX Group II, Cat 2
EN 13083
API RP1004 (2003)
Energy Institute Specification: Couplers for the bottom loading of petroleum road tankers

Range

Description	Part No.
With stainless steel handle *Note	CE94/2700XX
With aluminium handle *Note	CE94/2800XX

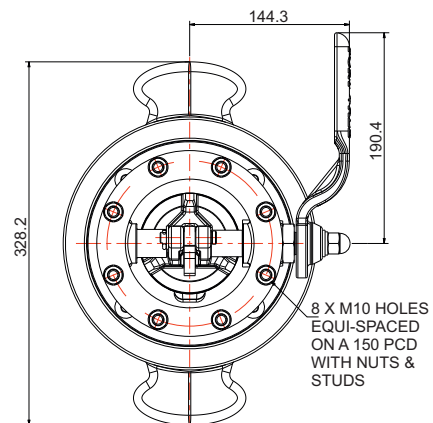
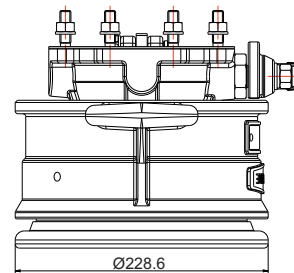
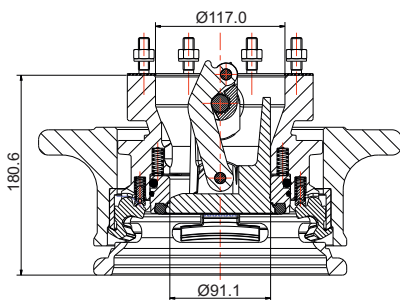
NOTE: The seal material changes the Part No.

Related Parts

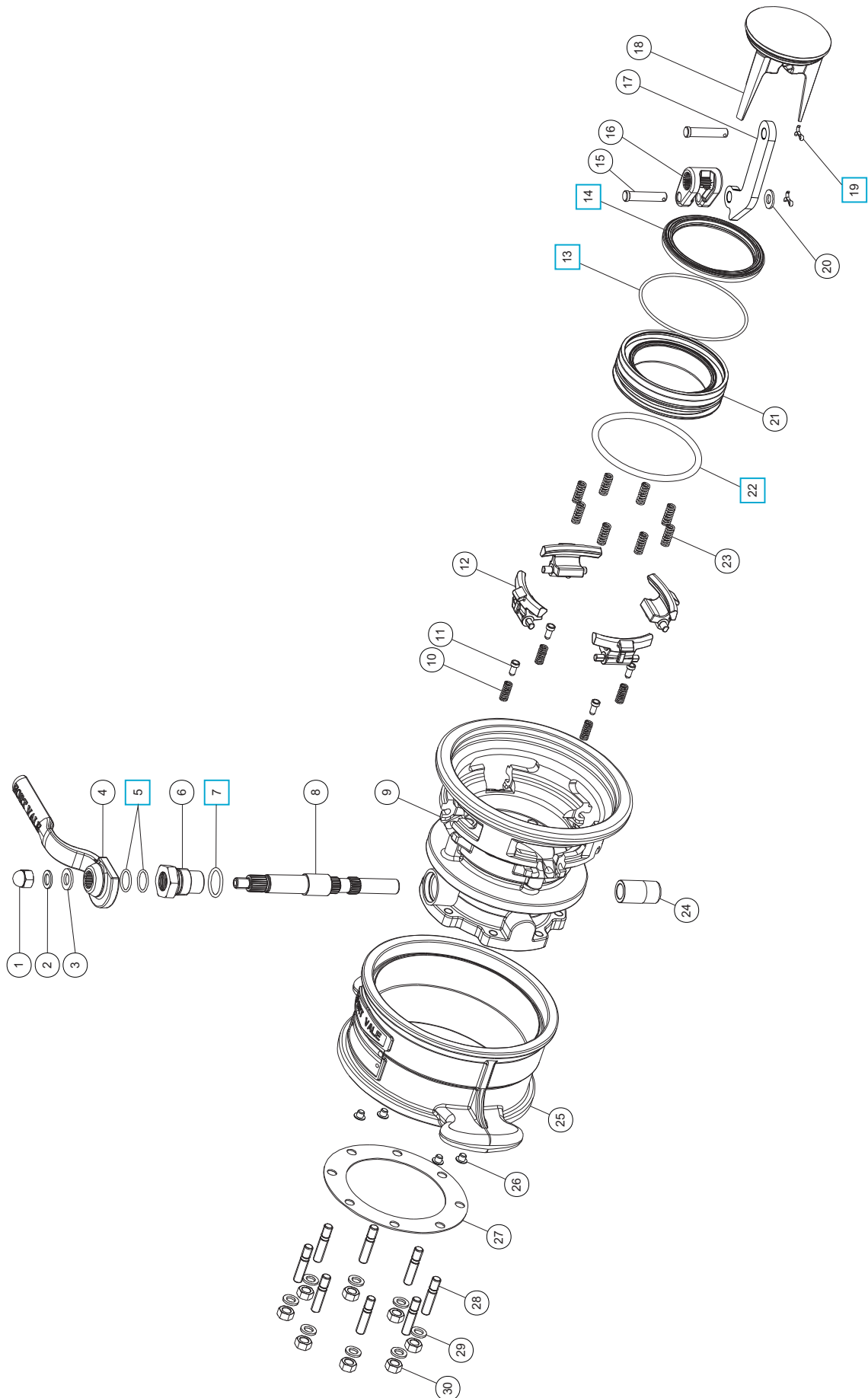
Description	Part No.
Loading adaptor wear gauge	94/2150
Coupler parking nose	94/25PC
Coupler seal replacement tool	400/9420
4" TTMA check valve *Note	94/3690XX/X

NOTE: The specification changes the Part No.

Section View



Parts Drawing



Parts List

Item	Description	Part No.
1	M12 domed nut	5112-050
2	M12 spring washer	5113-010
3	M12 washer	5123-003
4	Splined handle	94/2775
5	Spindle O ring (2) *Note	5005-336XX <input type="checkbox"/>
6	Spindle lock bush	94/2513
7	Bush O ring *Note	5005-214XX <input type="checkbox"/>
8	Spindle	94/2511
9	Inner housing	94/2501
10	Trigger spring (4)	94/2025
11	Brass spring guide (4)	94/2026
12	Locking trigger (4)	94/2555
13	Wiper O ring *Note	5005-584XX <input type="checkbox"/>
14	Main seal *Note	94/1006XX <input type="checkbox"/>
15	Pivot pin (2)	94/1054
16	Splined crank block	94/2528
17	Lever arm	94/1009A
18	Poppet	94/2518
19	Split pin (2)	5118-050 <input type="checkbox"/>
20	M10 stainless steel washer	5113-025
21	Seal carrier	94/2507
22	Seal carrier O ring *Note	94/1034XX <input type="checkbox"/>
23	Seat ring spring (8)	94/2024
24	Spindle bush	94/2522
25	Outer body assembly	94/2704
26	Plastic plug (4)	5028-094
27	4" TTMA gasket	94/1044
28	M10 stud (8)	94/1040
29	M10 spring washer (8)	5113-002
30	M10 full nut (8)	5112-002

NOTE: The specification changes the Part No.

Seal Data

Seal Material	Seal Temp. Min/Max	Seal Colour	Coupler Part No.
Viton B	-13°C/50°C	Black	CE94/2700
Viton GFLT-S	-23°C/50°C	Grey	CE94/2700GF
Ultra low temp. fluorocarbon	-40°C/50°C	Brown	CE94/2700MF
Perfluoroelastomer	-15°C/50°C	Green	CE94/2700PF

Seal Kit - All parts marked in the Parts List

Seal Material	Part No.
Viton B	94/25SK
Viton GFLT-S	94/25SKGF
ULT fluorocarbon	94/25SKMF
Perfluoroelastomer	94/25SKPF