

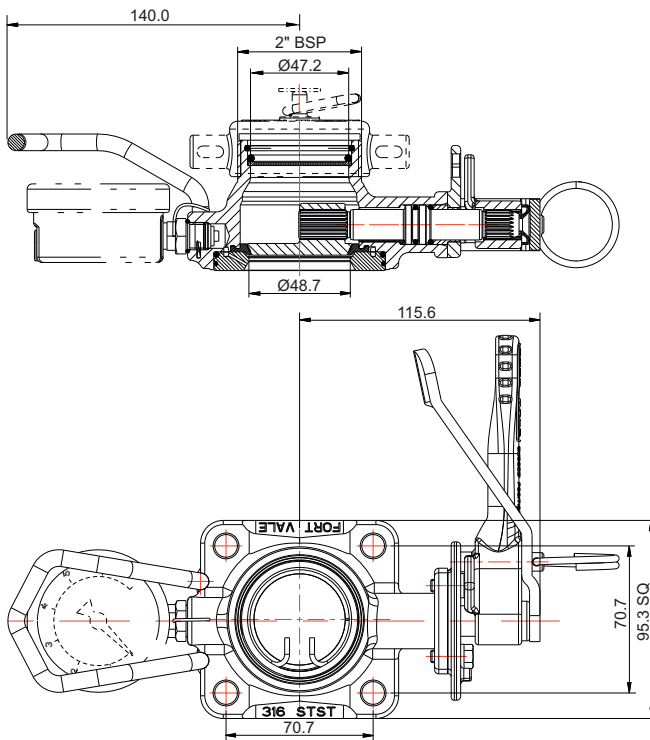


2" Airline Butterfly Valve - 2" BSP male inlet. Complete with pressure gauge connection, gauge guard and TIR facility to handle. Contact parts manufactured in 316 stainless steel with PTFE seals.

Optional extras - gauze filter or sintered filters are available.

Fitting Details

Example shown : 535/0200X



Specification

Weight	3.7 Kg *See Note
Design Pressure (MAWP)	6.9 Bar (100 PSIG)
Test Pressure	12.5 Bar (181 PSIG)
Design Temperature	-40°C to +190°C (-40°F to +374°F)

Note : Weight varies according to valve specification

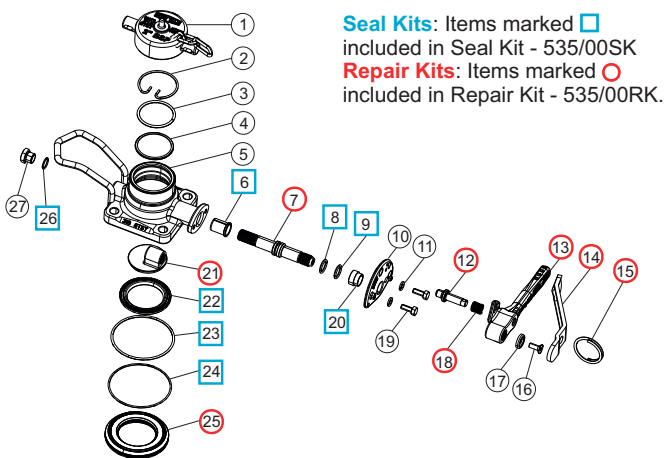
Range

Size	Inlet	Gauze	Part No.
2"	2" BSP thread	Without	535/0200
2"	2" BSP thread	Gauze Filter	535/0200F
2"	2" BSP thread	Sintered Disc	535/0200S

Associated Parts

Associated Parts	Part No.
Dust Cap	10301PS
Gauge	920/07BBSP
Gauge Adaptor	352/4004
Stud Kit	350/1300
Gasket	5005-500
Tank Pad	355/1000

Parts drawing



Item	Description	Part No.
1	2" BSP dust cap (supplied separately)	10301PS
2	Snap ring (Optional F,S)	5120-005
3	Spacer (Optional F,S)	355/0295
4	Gauze filter (Optional F)	355/0010
5	Sintered filter (2) (Optional S)	355/0206
6	Body	535/0215

Item	Description	Part No.
6	PTFE bush	535/0009 □ ○
7	Spindle	535/0203 ○
8	Viton O ring	20361 □ ○
9	PTFE O ring	20363 □ ○
10	Stuffing clamp	535/0204
11	Spring washer (2)	5113-008
12	Handle location pin	368/0010 ○
13	Handle	535/0050 ○
14	Operating lever	368/9838 ○
15	Split ring	368/0011 ○
16	Countersunk bolt	5111-030
17	Retaining washer	20370
18	Handle spring	368/0012 ○
19	Hex bolt (2)	5111-022
20	PTFE stuffing clamp bush	368/0301 □ ○
21	Closure plate	535/0225 ○
22	PTFE main seal	355/0202 □ ○
23	PTFE O ring	5005-659 □ ○
24	EPDM O ring	5005-664 □ ○
25	Clamp plate	535/0201 ○
26	PTFE O ring	5005-048 □ ○
27	1/4" BSP plug	5128-005