

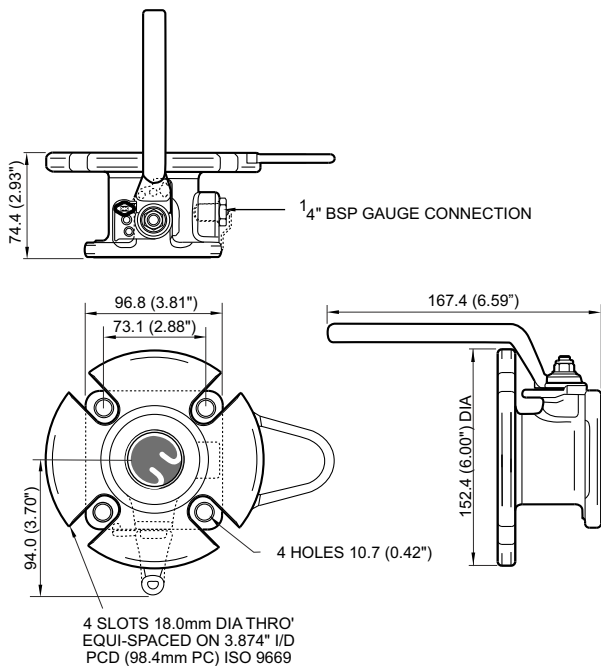


1½" Flanged Airline Ball Valve - inlet flange slotted to 1½" BSTD/1½" ASA 150. Complete with pressure gauge connection, gauge guard and TIR facility to handle. Contact parts manufactured in 316 stainless steel with PTFE seals.

Optional extra - gauze filter.

Fitting Details

Part Number : 530/1000



Specification

Weight	3.7 Kg
Design Pressure (MAWP)	7 Bar (101 PSIG)
Test Pressure	15 Bar (217 PSIG)
Design Temperature	-55°C to 205°C (-67°F to 401°F)

Approved to BS EN14432.

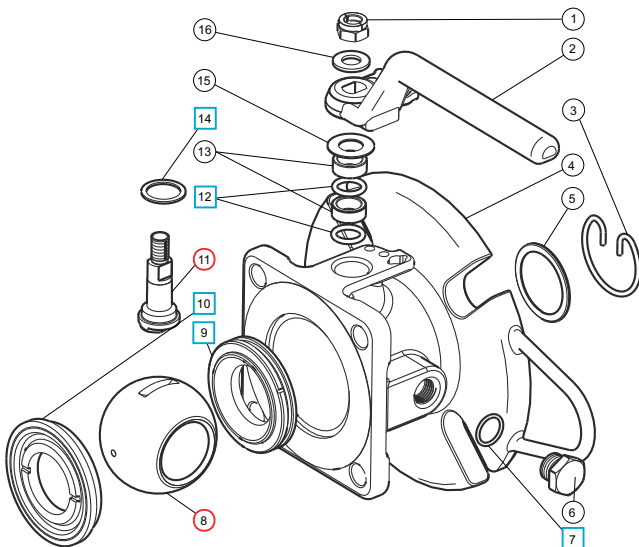
Range

Inlet Flange	Gauze	TIR	Gauge Guard	Part No.
1½"BSTD/ASA	Without	Standard	Standard	530/1000
1½"BSTD/ASA	With	Standard	Standard	530/1000F

Associated Parts

Associated Parts	Part No.
Blind Flange	530/8053CM
Bolting Kit	311/3500
Gasket	5005-348
Stud Kit	350/1300
Tank Pad	350/0025

Parts drawing



Item	Description	Part No.
1	Self locking nut	5112-031
2	Handle	530/0020
3	Snap ring (optional suffix 'F')	5120-017
4	Valve body	530/1100
5	Gauge filter (optional suffix 'F')	353/0010
6	¼" BSP plug	5128-005
7	PTFE O ring	5005-048 <input type="checkbox"/> <input type="radio"/>
8	Ball	350/0002 <input type="radio"/>
9	Front ball seal	5005-006 <input type="checkbox"/> <input type="radio"/>
10	Rear ball seal	5005-007 <input type="checkbox"/> <input type="radio"/>
11	Spindle	530/0001 <input type="radio"/>
12	PTFE O ring (2)	5005-008 <input type="checkbox"/> <input type="radio"/>
13	Stuffing boss (2)	530/0003
14	PTFE washer	5003-002 <input type="checkbox"/> <input type="radio"/>
15	Disc spring	5113-036
16	M8 washer	5113-005

Repair Kits: Items marked included in Repair Kit - 530/00RK (item 6 x2)
Seal Kits: Items marked included in Seal Kit - 530/00SK