

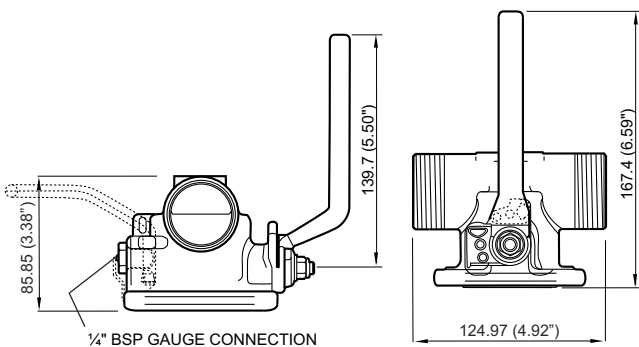
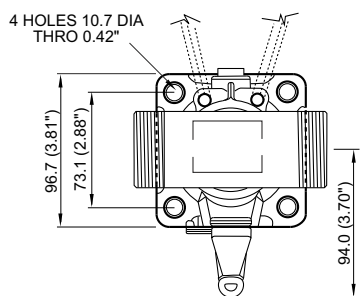


**1½" Dual Inlet Airline Ball Valve** - 1½" BSP and 1½" NPT male inlet connections. Complete with pressure gauge connection and TIR facility to handle. Contact parts manufactured in 316 stainless steel with PTFE seals.

**Optional extras** - gauge guard and/or gauze filter.

## Fitting Details

Part Number : 530/0300



## Specification

Weight	5.25 Kg
Design Pressure	MAWP 10 Bar (145 PSIG)
Test Pressure	21.4 Bar (310 PSIG)
Design Temperature	-55°C to 205°C (-67°F to 401°F)

Approved to BS EN14432.

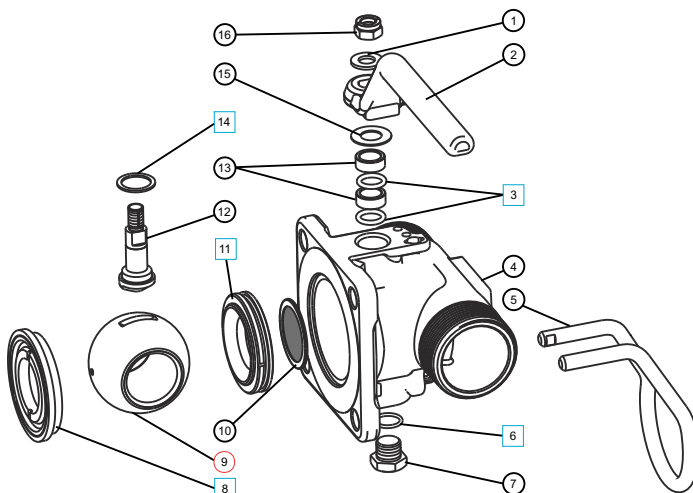
## Range

Type	Gauze	Gauge Guard	Part No.
1½" BSP-1½" NPT	Without	Without	530/0300
1½" BSP-1½" NPT	With	Without	530/0300F
1½" BSP-1½" NPT	With	With	530/0300FG
1½" BSP-1½" NPT	Without	With	530/0300G

## Associated Parts

Associated Parts	Part No.
Gauge	920/07BBSP
Gauge Adaptor	352/4004
BSP Cap	10300PS
NPT Cap	10300PNT
Stud Kit	350/1300
Tank Pad	350/0025

## Parts drawing



Item	Description	Part No.
1	M8 washer	5113-005
2	Handle	530/0020
3	PTFE O ring (2)	5005-008 <input type="checkbox"/> <input type="radio"/>
4	Valve body	530/0301
5	Gauge guard (optional suffix 'G')	530/0040
6	PTFE O ring	5005-048 <input type="checkbox"/> <input type="radio"/>
7	¼" BSP plug	5128-005
8	Rear ball seal	5005-007 <input type="checkbox"/> <input type="radio"/>
9	Ball	350/0002 <input type="radio"/>
10	Gauze filter (optional suffix 'F')	353/0010
11	Front ball seal	5005-006 <input type="checkbox"/> <input type="radio"/>
12	Spindle	530/0001
13	Stuffing boss (2)	530/0003
14	PTFE washer	5003-002 <input type="checkbox"/> <input type="radio"/>
15	Disc spring	5113-036
16	Self-locking nut	5112-031

**Repair Kits:** Items marked  included in Repair Kit - 530/00RK

**Seal Kits:** Items marked  included in Seal Kit - 530/00SK