



Specification

Nominal size

DN40

Tank connection

1½” BSP

Set pressure

From 0.05 Bar to 4.50 Bar

Properties

With cowl and gauze

Materials

Contact parts: 316 stainless steel

Pressure O ring: Fortyt

Tank seal: CNAF

Alternatives are available, refer to the Design Options page

Design Conditions

Weight: 0.8 Kg
 Design Pressure (MAWP): 4.5 Bar
 Test Pressure: 7 Bar

For more Design Conditions, please contact Fort Vale and refer to the parts drawing.

Range

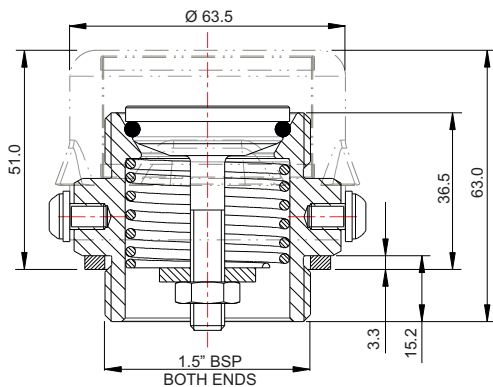
Description	Part No.
1½” BSP standard valve	47/XXXX00A
1½” BSP with cowl	47/XXXX00AC
1½” BSP with cowl and gauze	47/XXXX00AGZ
1½” BSP, alloy C276 contact parts	47H/XXXX00AX
1½” BSP with PTFE tank seal	47V/XXXX00AX
50mm DIN11851 connection	47M/XXXX00AX

NOTE: The valve specification changes the part no.

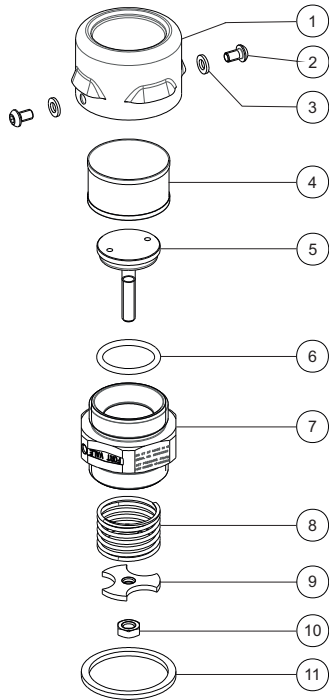
Related Parts

Description	Part No.
1½” weld-in socket	600/1010
50mm DIN11851 weld-in socket	176/2660
50mm DIN11851 fitting nut	176/2670
Installation C spanner	400/3000

Section View



Parts Drawing



Parts List

Item	Description	Part No.
1	Cap	10217/1
2	M6 button screw (2)	5111-611
3	M6 spring washer (2)	5113-008
4	Gauze ring	10204
5	Poppet	10983V
6	Pressure O ring	Refer to Table 1
7	Body	10213
8	Spring	Refer to Table 2
9	Spring pad	10215
10	M8 half nut	5112-004
11	CNAF tank seal	5005-011

Table 1

O Ring Material	Part No.
Fortyt	5005-108H
High-temp. Fortyt	5005-108HPFA

Table 2

Std. Pressure Setting	Pressure Spring Part No.
2.05 Bar	5104-630

Available settings: 0.05 Bar to 4.50 Bar



Specification

Nominal size

DN40

Tank connection

1½" BSP

Set vacuum

From 2 kPa to 88 kPa

Properties

With cowl and gauze

Materials

Contact parts: 316 stainless steel

Vacuum O ring: Fortyt

Tank seal: CNAF

Alternatives are available, refer to the Design Options page

Design Conditions

Weight: 0.8 Kg
 Design Pressure (MAWP): 4.5 Bar
 Test Pressure: 7 Bar

For more Design Conditions, please contact Fort Vale and refer to the parts drawing.

Range

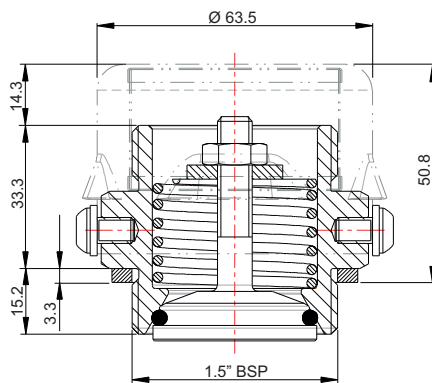
Description	Part No.
1½" BSP standard valve	47/X000XXA
1½" BSP with cowl	47/X000XXAC
1½" BSP with cowl and gauze	47/X000XXAGZ
1½" BSP with vent button	47/X000XXVBA
1½" BSP, alloy C276 contact parts	47H/X000XXAX
1½" BSP with PTFE tank seal	47V/X000XXAX
50mm DIN11851 connection	47M/X000XXAX

NOTE: The valve specification changes the part no.

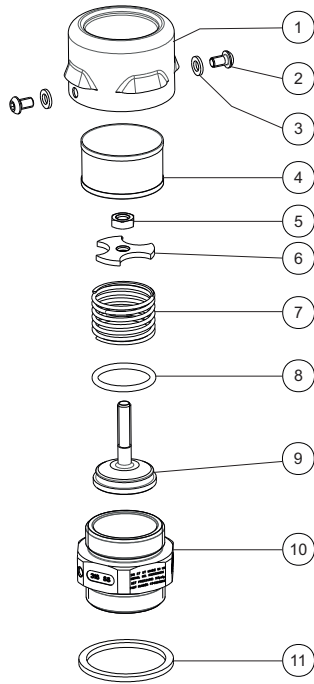
Related Parts

Description	Part No.
1½" weld-in socket	600/1010
50mm DIN11851 weld-in socket	176/2660
50mm DIN11851 fitting nut	176/2670
Installation C spanner	400/3000

Section View



Parts Drawing



Parts List

Item	Description	Part No.
1	Cap	10217/1
2	M6 button screw (2)	5111-611
3	M6 spring washer (2)	5113-008
4	Gauze ring	10204
5	M8 half nut	5112-004
6	Spring pad	10215
7	Spring	Refer to Table 1
8	Vacuum O ring	Refer to Table 2
9	Poppet	10983V
10	Body	10213VO
11	CNAF gasket	5005-011

Table 1

Std. Vacuum Settings	Vacuum Spring Part No.
3 kPa	5104-601
20 kPa	5104-605

Available settings: 2 kPa to 88 kPa

Table 2

O Ring Material	Part No.
Fortyt	5005-108H
High-temp. Fortyt	5005-108HPFA