

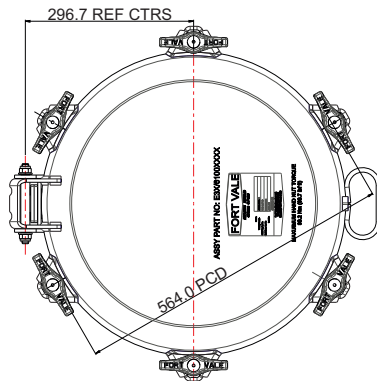
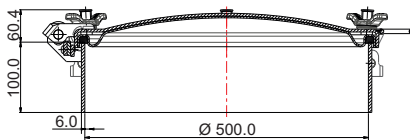


500mm Pendle Manlid Assembly - 6 point fastening. 6mm thick x 100mm deep neckring. Contact parts manufactured in 316 stainless steel. Stainless steel swingbolts with naval brass handnuts. Seal supplied separately.

Options - 3 Bar, 6 point fastening and 4 Bar, 8 point fastening assemblies. 60mm, 100mm, 125mm, 150mm, 200mm, 250mm and 350mm deep neckrings. Profiled and compensated versions. 304 Stainless steel and Carbon steel (SA516 G60) neckrings available. Stainless steel swingbolts with stainless steel handnuts.

**Fitting Details**

Example shown : E3C/6100100B



**Specification**

Weight	36 Kg *NB
Design Pressure (MAWP)	3 Bar (43.5 PSI) *NB
Test Pressure	4.5 Bar (65.3 PSI) *NB
Design Temperature Range	-40°C to 250°C **Note (-40°F to 482°F) **Note

\* NB Data will vary according to specification  
\*\*Note Metal parts only

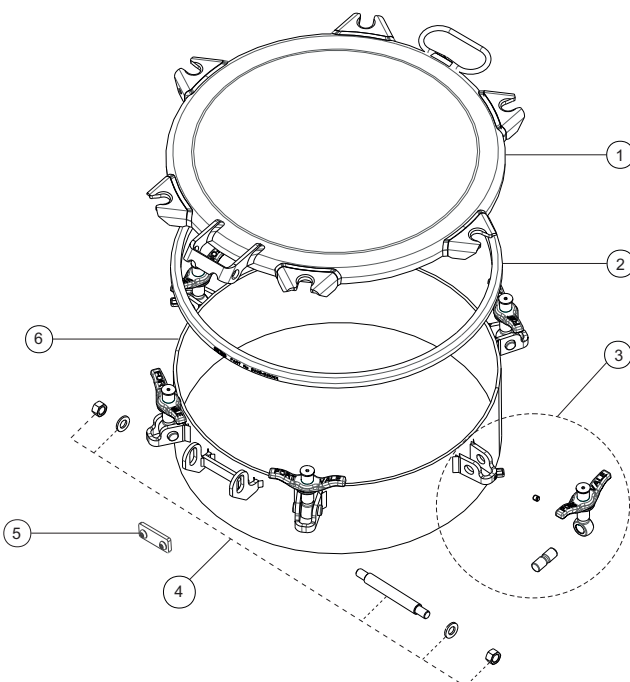
Approved to BS EN14025

**Range**

Part No.	Points	MAWP	Neckring	Material
E3C/6100100B	6	3 Bar	6 x 100 mm	St Steel
E4C/8100100B	8	4 Bar	8 x 100 mm	St Steel

Neckrings are available in a variety of heights.

**Parts drawing**



Item	Description	Part No.
1	Manlid cover	73E/0500
2	16 x 10mm seal	See separate sheet
3	Swingbolt assembly (6)	496/X375 **See note
4	Hinge pin assembly	600/1060
5	Hinge kit *See note	135B
6	Neckring *See note	66E/66100A

\*Note Part numbers will vary according to specification

\*\*Note  
X in swingbolt part number denotes handnut material  
5 = stainless steel  
1 = naval brass  
E = low profile stainless steel/brass composite  
0 = stainless steel hex nut