

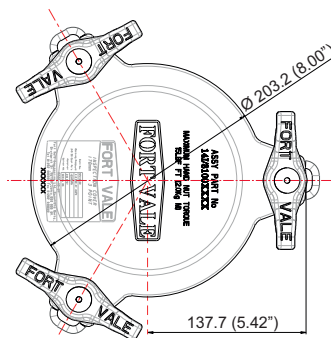
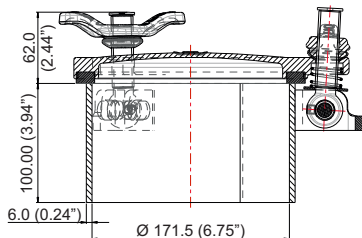


170mm Inspection Hatch - 3 point fastening. 6mm thick x 100mm deep neckring. Contact parts manufactured in 316 stainless steel. Stainless steel swingbolts with stainless steel handnuts, 1-off spring-loaded to allow the cover to rotate clear of the neckring when in the open position. Seal supplied separately.

Options - alternative neckring depths and swingbolt combinations available.

Fitting Details

Example shown : 14I/3100100A



Specification

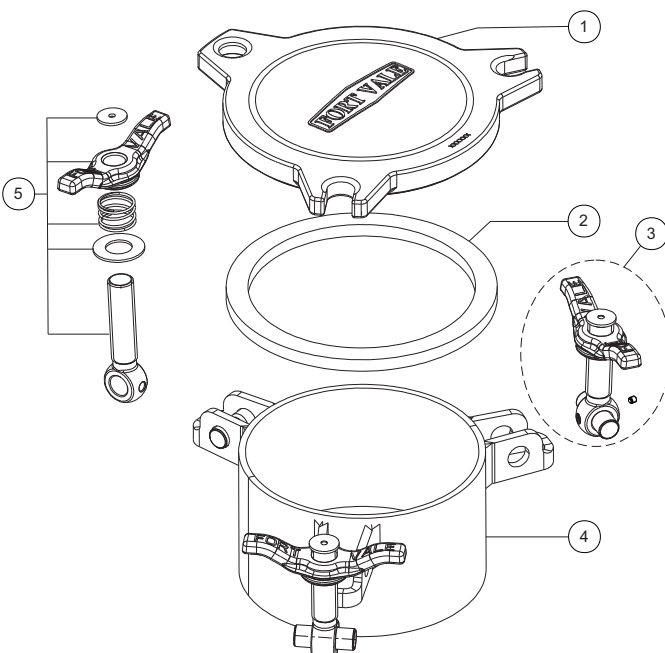
Weight	8.9 Kgs *See note
Design Pressure (MAWP)	4 Bar (58 PSI)
Test Pressure	6 Bar (87 PSI)
Design Temperature	-40°C to +150°C (-40°F to +302°F)

NB Weight will vary according to specification

Range

Part No	Neckring Height
14I/3100075X	75mm (2.95")
14I/3100100X	100mm (3.94")
14I/3100125X	125mm (4.92")
14I/3100150X	150mm (5.91")
14I/3100200X	200mm (7.87")
14I/3100305X	305mm (12.00")

Parts drawing



Item	Description	Part No.
1	Cover	672/0120
2	Seal (sold separately)	See separate sheet
3	Swingbolt assembly (2)	496/X342
4	Neckring *See note	661/36100
5	Spring loaded swingbolt, comprising	
	Top washer	5113-080
	Swingbolt	540/0342
	Spring	5104-506
	Washer	5123-005
	Swingbolt pin	10913SS
	Handnut **See note	490/XXXX

***NB:** part number may vary according to specification

****Note**

X in swingbolt part number denotes handnut material
5 = stainless steel
1 = naval brass
E = low profile stainless steel/brass composite