

Valve above is shown in the open position.

### Specification

Weight	17.6 Kg *See Note
Design Pressure (MAWP)	4 Bar (58 PSI)
Test Pressure	6 Bar (87 PSI)
Design Temperature Range	-40°C to 200°C (-40°F to 392°F)

Note: Weight varies according to valve specification.

Design approval by Lloyds Register of Shipping.  
Approved to BS EN14433.

 Operating Instructions available - OPIN65

3" PFA Lined Cleanflow Footvalve with 45° Outlet - comprising 2-part body assembly: inlet cassette with poppet assembly and operating mechanism; 45° outlet assembly. Inlet flange drilled 8 x 14mm holes on a 178mm PCD, outlet flange drilled 4 x 17mm holes on a 160mm PCD. Supplied assembled. Handle supplied separate.

Inlet cassette manufactured in 316 stainless steel, all contact parts with moulded PFA lining. Fitted with Forty poppet O ring. 45° outlet assembly manufactured in 316 stainless steel, inlet/outlet flanges and inner body tube with sprayed and cured PFA lining.

Options - 30° and 90° PFA lined Cleanflow footvalves. Other lining materials are available on request for the outlet assembly only, eg. Halar®, Säkaphen®.

### Range

Part No.	Description
845/P1200	3" 45° PFA lined Cleanflow footvalve
848/P1000	3" 30° PFA lined Cleanflow footvalve
844/P3000	3" 90° PFA lined Cleanflow footvalve

### Associated Parts

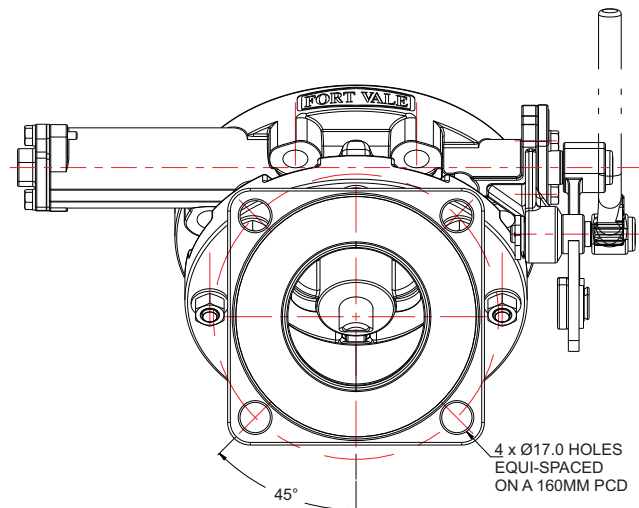
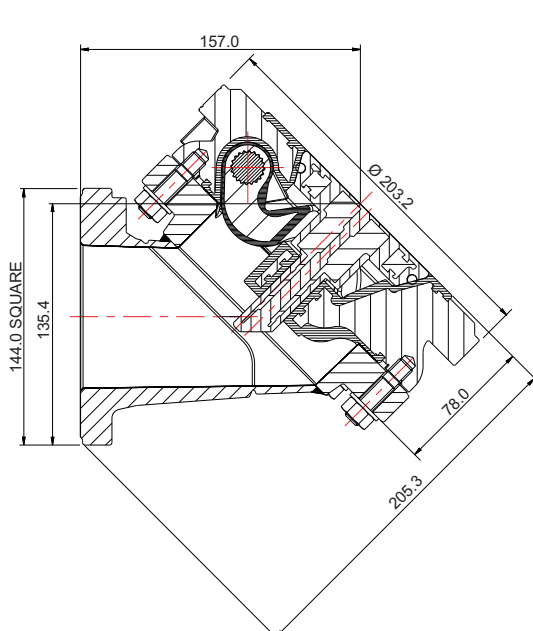
Associated Parts	Part No.
Tank weld-in flange	324/9000L
Inlet stud kit	845/P128
Bolting kit - 4 hole outlet	311/3500

**GASKETS:** No inlet gasket must be installed. No gasket must be installed between the inlet cassette and the outlet assembly.

If a Fort Vale PFA lined ball valve or PFA lined butterfly valve is installed to the outlet assembly, no intermediate gasket must be installed.

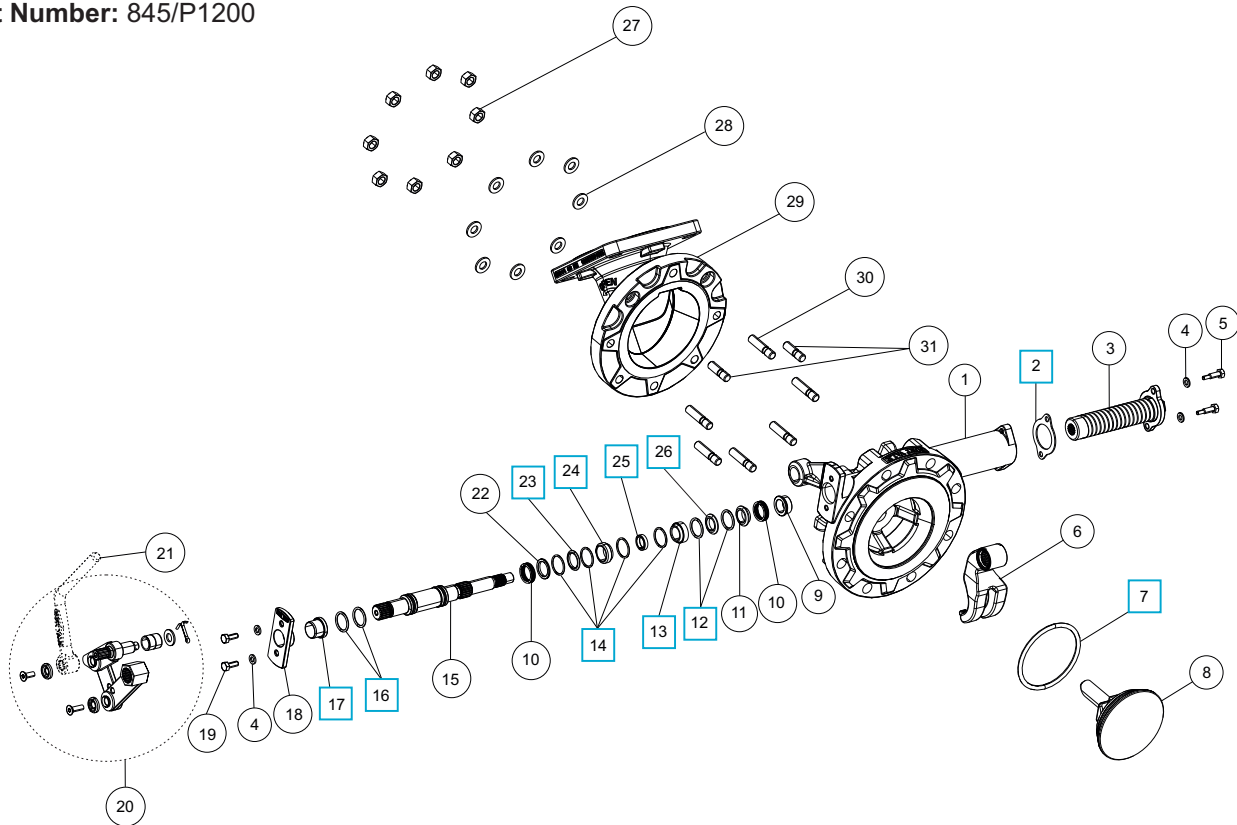
### Fitting Details

Part Number: 845/P1200



## Parts drawing

Part Number: 845/P1200



Item	Description	Qty	Part number
1	PFA lined body	1	845/P137LM
2	Spring housing gasket	1	5005-846 <input type="checkbox"/>
3	Torsion spring assembly	1	875/0050
4	M6 spring washer	4	5113-008
5	M6 x hex head set screw	2	845/0017
6	PFA lined lifting fork	1	845/P124L
7	Fortyt O ring	1	5005-104H <input type="checkbox"/>
8	PFA lined poppet	1	845/P125LM
9	Spindle bearing	1	845/P127/3
10	Spirawave spring	2	5104-027
11	Spring housing bush	1	845/P127/4
12	Perlast O ring	2	5005-384 <input type="checkbox"/>
13	Spindle bush	1	845/P127/2 <input type="checkbox"/>
14	Perfluoroelastomer O ring	4	ORB020K8 <input type="checkbox"/>
15	Main spindle	1	845/P126
16	Viton O ring	2	5005-336 <input type="checkbox"/>

Item	Description	Qty	Part number
17	Spindle stuffing seal	1	845/0061 <input type="checkbox"/>
18	Stuffing clamp flange	1	845/0016
19	M6 x 16mm hex head bolt	2	5111-022
20	Handle linkage assembly	1	324/8910
21	Handle (supplied separately)	1	324/8670
22	Wave spring seating washer	1	845/P127/5
23	Handle side O ring chevron	1	845/P127/6 <input type="checkbox"/>
24	Spindle bush	1	845/P127/1 <input type="checkbox"/>
25	Support ring	1	845/P127/8 <input type="checkbox"/>
26	Spring side O ring chevron	1	845/P127/7 <input type="checkbox"/>
27	M10 full nut	8	5112-002
28	M10 form a washer	8	5113-025
29	Lined 45° Cleanflow outlet assembly	1	845/P123/45L
30	M10 x 45mm stud	6	371/0002
31	M10 x 35mm stud	2	371/0001

### SEAL KIT

Part number **845/P12SK** contains all parts marked