



4" 90° Pneumatic Cleanflow Footvalve - inlet flange drilled 8 x 18mm holes equi-spaced on a 210mm PCD (DIN125 PN16); outlet flange drilled 8 x 18mm holes equi-spaced on a 180mm PCD (DIN100 PN16). Footvalve body with 'Superseat' (alloy 625) seating area. All other contact parts manufactured in 316 stainless steel with Fortyt O ring to main poppet as standard.

Options - Available with alloy C276 seating area or with a replaceable seat. Different outlet flange drillings and main seals are available. A steam-heated version with conical poppet is available for solidifying cargoes. Manually operated version. A full range of 30°, 45° and 180° Cleanflow footvalves is available.

Specification

Weight	32.1 Kg *See Note
Design Pressure (MAWP)	4 Bar (58 PSI)
Test Pressure	6 Bar (87 PSI)
Design Temperature	-40°C to 200°C (-40°F to 392°F)

Note: Weight and dimensions vary according to valve specification.

To make sure that the tank stays sealed if an accident occurs, the valve body has a shear groove that is designed to break so that the internal part of the valve stays closed and attached to the tank.

Approved to BS EN14433.

Range

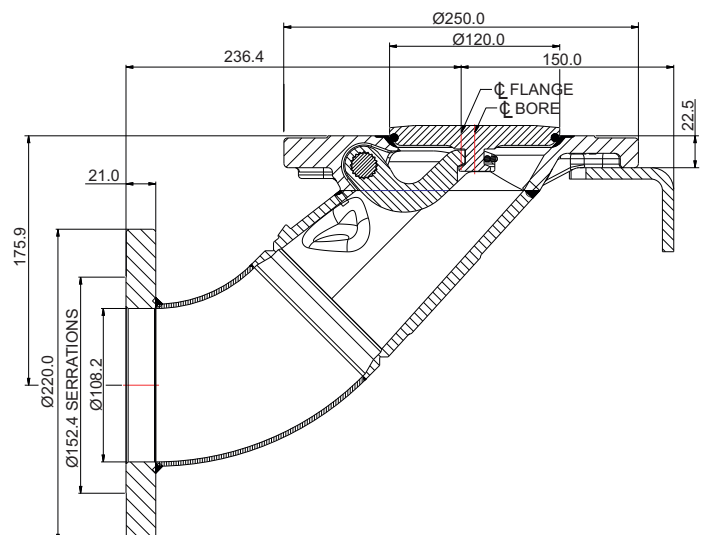
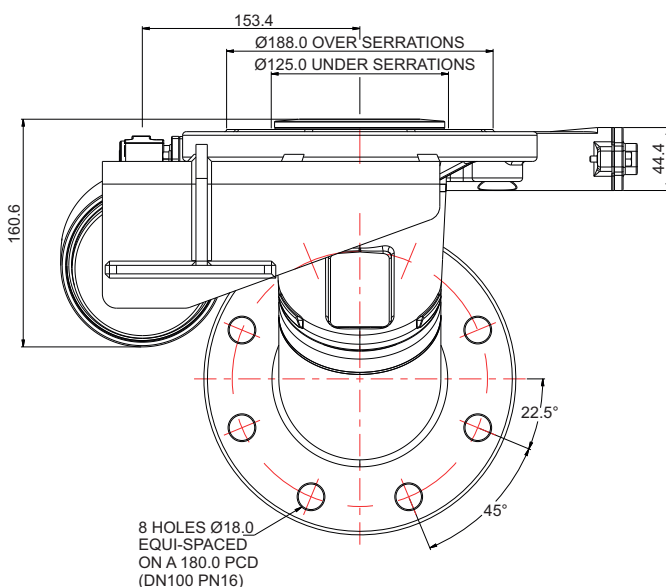
Part No.	Specification
875/4800SS	Superseat with std. poppet
875/4800SSRX	Std. poppet; replaceable seat
875/4800SSHRX	Conical poppet; replaceable seat; steam heated.

Associated Parts

Description	Part No.
Tank pad	854/9000
Stud kit (875/4800SS only)	875/2044
CNAF/PTFE inlet gasket	5005-467
CNAF/PTFE outlet gasket	5005-468
Mating flange - DN100 PN16	875/4150
Bolting kit for mating flange (875/4150)	875/4160

Fitting Details

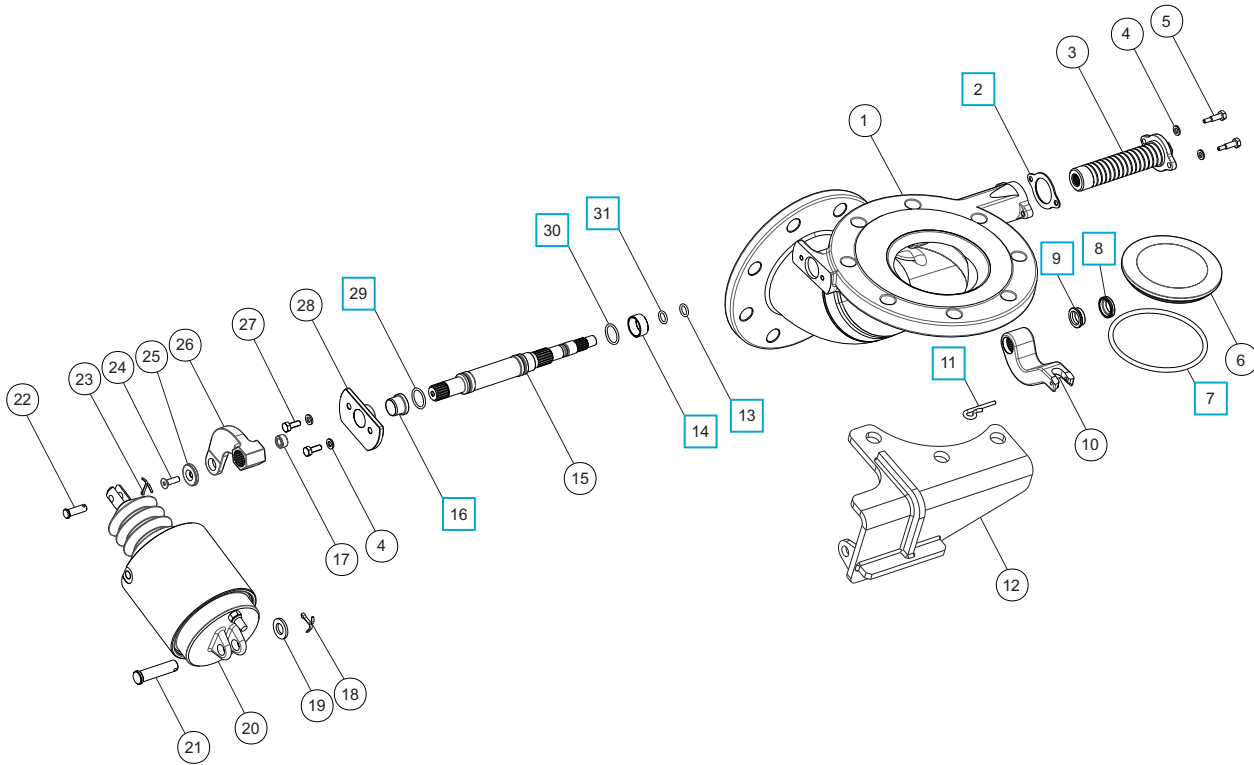
Part No. 875/4800SS



Parts drawing

FORT VALE®

Part Number: 875/4800SS



Item	Description	Part No.
1	Body	875/4110B
2	Spring boss gasket	5005-846 <input type="checkbox"/>
3	Spring assembly	875/0050
4	Spring washer (4)	5113-008
5	Clamp screw (2)	845/0017
6	Poppet	875/0040
7	Fortyt O ring	5005-349 <input type="checkbox"/>
8	PTFE bottom bush seal	845/0064 <input type="checkbox"/>
9	Bottom seal energizer	845/0063 <input type="checkbox"/>
10	Lifting fork	875/0010
11	Retaining pin	845/0015 <input type="checkbox"/>
12	Pneumatic cylinder bracket	845/8064
13	Perfluoroelastomer O ring	10133PHT <input type="checkbox"/>
14	PTFE spindle bearing	845/0062 <input type="checkbox"/>
15	Main spindle	875/0200
16	PTFE spindle stuffing seal	845/0061 <input type="checkbox"/>

Item	Description	Part No.
17	Bronze bush	844/2011
18	Split pin	5220-008
19	Plain washer	5113-006
20	Pneumatic cylinder	875/2125
21	Clevis pin	875/2122
22	Clevis pin	844/2121
23	Split pin	5118-016
24	Countersunk bolt	5111-019
25	Retaining washer	20370/2
26	Crank arm	844/2049
27	Hex bolt (2)	5111-022
28	Stuffing clamp flange	845/0066
29	Viton O ring	5005-336 <input type="checkbox"/>
30	Perfluoroelastomer O ring	5005-384 <input type="checkbox"/>
31	PTFE O ring	5005-008 <input type="checkbox"/>

**SELF ADHESIVE DECAL**

Part No. 845/0320

Text in English, German & French

SEAL KITPart number **875/00SK** contains all parts marked