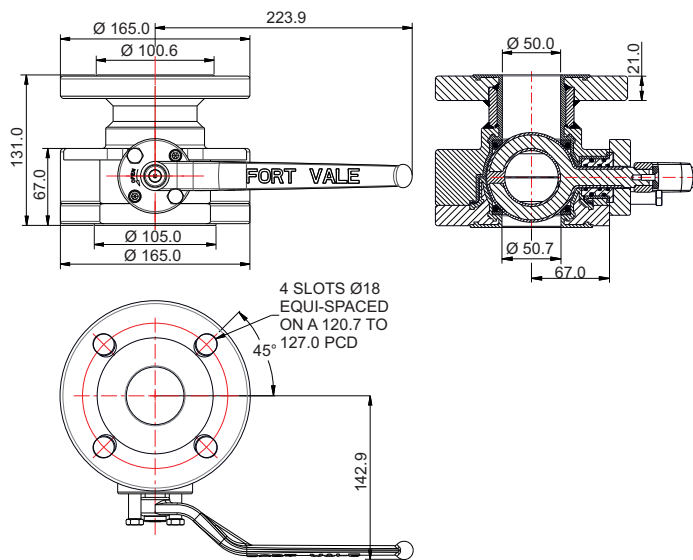


PFA Lined 50mm Full Bore Flanged Ball Valve - inlet flange drilled 4 x 18mm holes on a 126mm PCD; outlet flange drilled 4 x 18mm slots on a 120.7mm to 127mm PCD. Valve manufactured in stainless steel with PTFE main seal. All parts in contact with the cargo lined with PFA.

Options - range of PFA lined ball valves (See RANGE)

## Fitting Details

Part number : 370/P100



## Specification

Weight	12.15 Kg
Design Pressure (MAWP)	6.9 Bar (100 PSI)
Test Pressure	10.3 Bar (150 PSI)
Design Temperature Range	-40°C to 200°C (-40°F to 392°F)

Valve complies with EN14432 and RID norms.

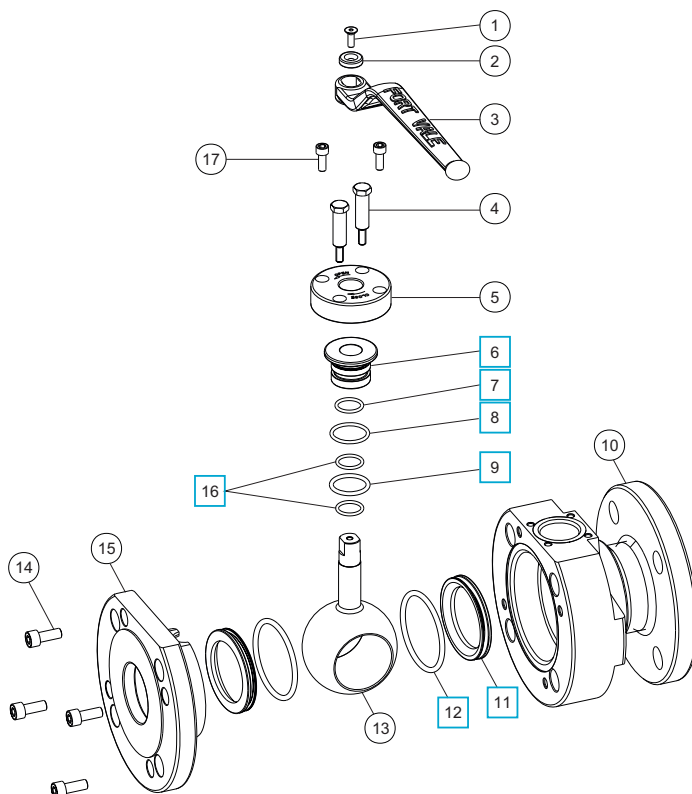
## Range

Part No.	Description
530/P100	25mm PFA lined reduced bore ball valve
370/P100	50mm PFA lined full bore ball valve
360/P030X	80mm PFA lined full bore ball valve

## Associated Parts

Part No.	Associated Parts
311/3790	Stud kit
311/3590	Bolting kit
370/4239PFA	PFA lined blind flange

## Fitting Details



Item	Description	Part No.	
1	M5 screw	5111-113	
2	Retaining washer	20370/5	
3	Handle	370/3306/1	
4	Stop pin (2)	370/P107	
5	Stuffing plate	370/P114	
6	Seal carrier	370/P113	<input type="checkbox"/>
7	Viton O ring	ORB115VL	<input type="checkbox"/>
8	Viton O ring	ORB121VL	<input type="checkbox"/>
9	Perfluoroelastomer O ring	5005-214PER	<input type="checkbox"/>
10	PFA lined body	370/P110	
11	PTFE ball seal (2)	370/P115	<input type="checkbox"/>
12	Fortyt O ring (2)	ORM0580400F0	<input type="checkbox"/>
13	PFA lined obturator	370/P101	
14	M8 cap screw (4)	5111-010	
15	PFA lined clamp plate	370/P111	
16	Perfluoroelastomer O ring (2)	5005-370P	<input type="checkbox"/>
17	M6 cap screw (2)	5111-015	

### SEAL KIT

Part number 370/P100SK contains all parts marked